



## RETAIL PRICELIST

Effective from 20 October, 2009

Unit 3, 10 Achievement Way  
Wangara WA 6065  
Ph: 08 9303 4915  
Fax: 08 9303 4916

[strike@strikeproducts.com.au](mailto:strike@strikeproducts.com.au)

[www.strikeproducts.com.au](http://www.strikeproducts.com.au)

## Strike Products Retail Pricelist October 2009

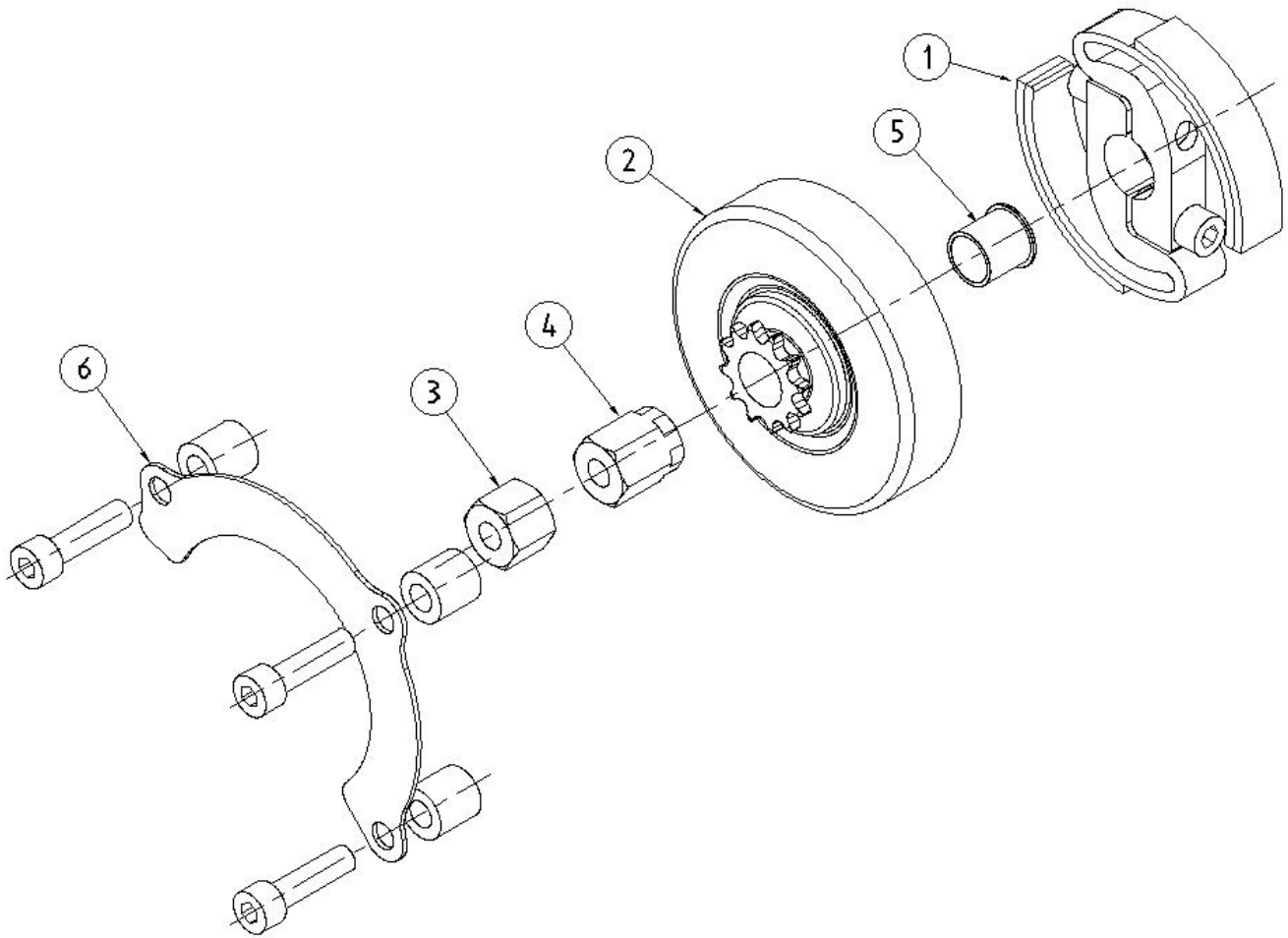


<b>PISTONS</b>		
Part #	Description	RRP
PJ001	Piston KT100J Std	70.00
PJ002	Piston KT100J Big Bore*	82.50
PJ003	Piston KT100J Special**	POA
PJS001	Piston KT100J Std Smooth	74.50
PS001	Piston KT100S Std	70.00
PS002	Piston KT100S >Ø53.00*	73.75
PS003	Piston KT100S >Ø53.75*	82.50
PS004	Piston KT100S Special**	POA
PSS001	Piston KT100S Std Smooth	74.50
*Not legal for AKA sanctioned events **Custom options: Indexed A/R Pin Location to any angle Dykes Ring groove (suit Leopard ring) Different piston pin offset		

<b>PISTON RINGS</b>		
PRJ001	P/Ring KT100J Std	24.50
PRS001	P/Ring KT100S Std	21.50
PRS002	P/Ring KT100S Big Bore	36.00

<b>TOP END RELATED COMPONENTS</b>		
C001	Circlips Ø14*Ø1.0 x 50 off	45.00
HG001	Head Gasket KT100S Std	8.50
HG002	Head Gasket KT100S Ø54.5	12.00
PB001	Pin Bearing Thompson	18.50
PP001	Piston Pin Ø14*Ø8.9*40.5	8.00

## Strike Products Retail Pricelist October 2009

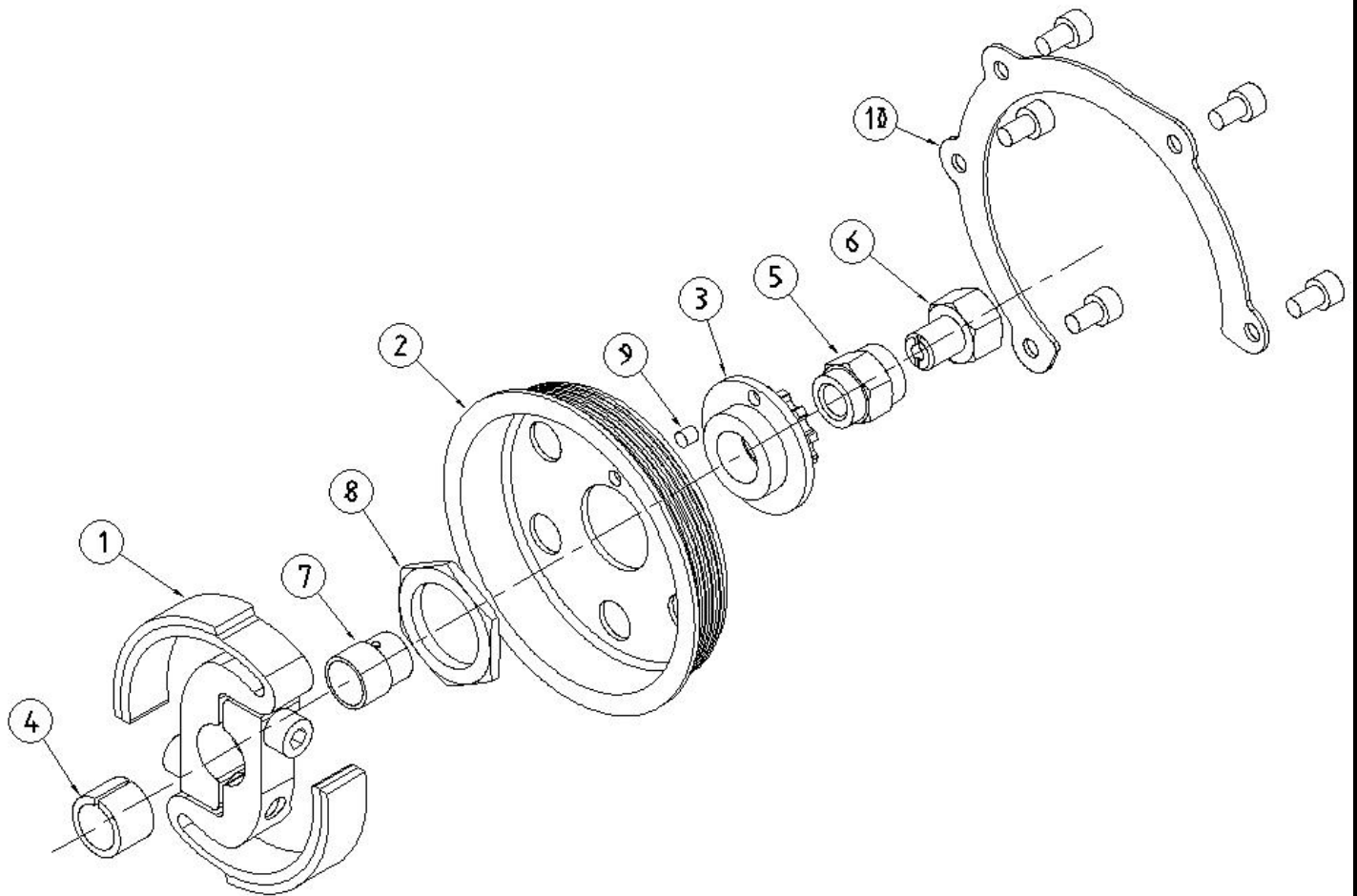


### KT100J CLUTCHES AND COMPONENTS

Part #	Description	Reference #	RRP
CLJKIT11T	J Clutch Kit 11T*		305.00
CLJKIT12T	J Clutch Kit 12T*		305.00
CLJKIT13T	J Clutch Kit 13T*		305.00
CLJKIT14T	J Clutch Kit 14T*		305.00
CLJBEAR	J Bearing (Needle roller suit 12T\13T\14T)	5	15.00
CLJBUSHP	J Bush Plastic (suit 11T)	5	14.80
CLJNUTTAP	J Tapered Nut	4	17.40
CLJNUTL	J Locking Nut	3	9.50
CLJRETKIT	J Retaining Plate Kit	6	20.80
CLJSPR11T	J Sprocket/Drum 11T	2	83.00
CLJSPR12T	J Sprocket/Drum 12T	2	83.00
CLJSPR13T	J Sprocket/Drum 13T	2	83.00
CLJSPR14T	J Sprocket/Drum 14T	2	83.00
CLJSHOEASSY	J Shoe Assembly	1	210.00

\*Requires machining of crankcase

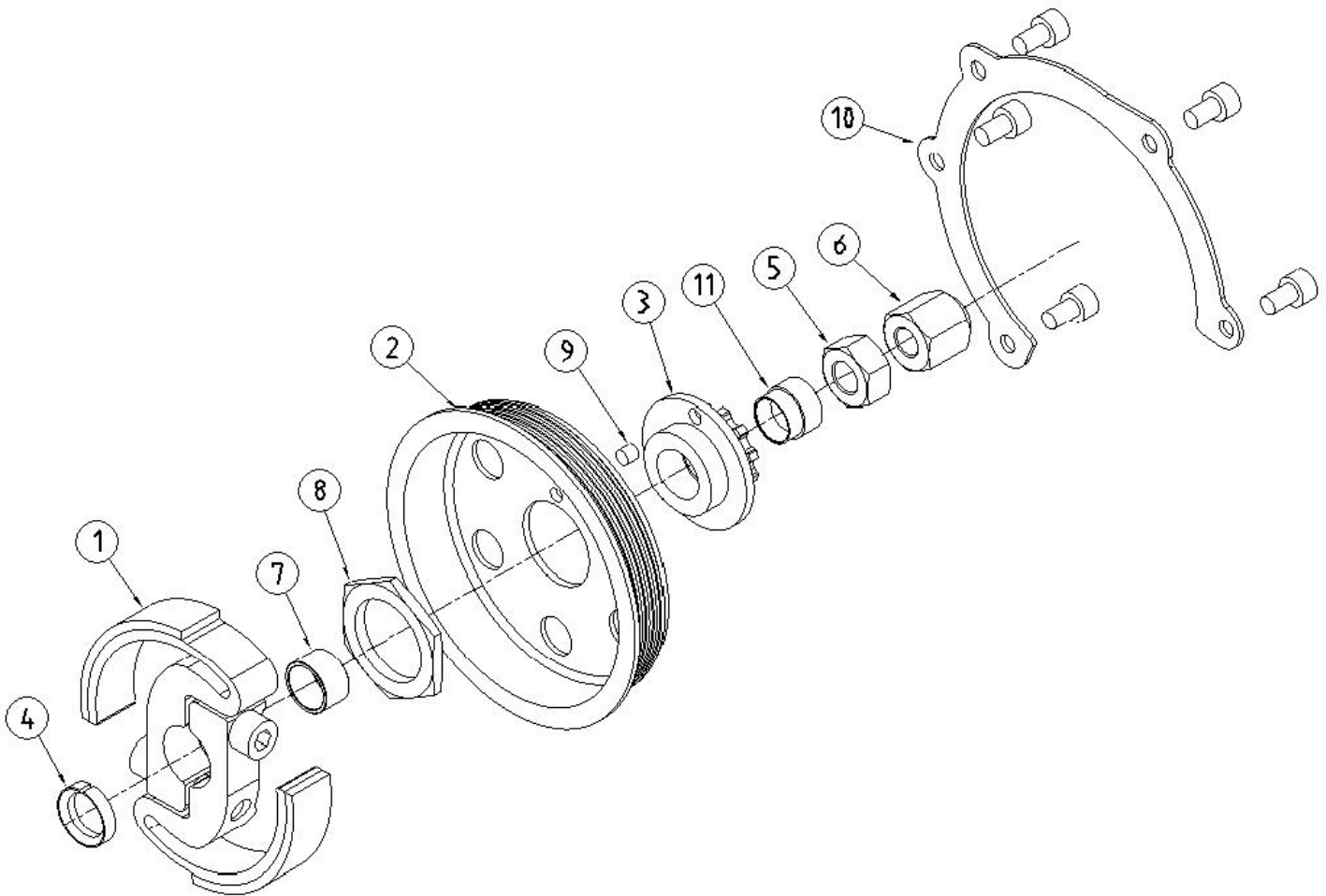
Strike Products Retail Pricelist October 2009



**KT100S SHORT SHAFT CLUTCH AND COMPONENTS**

Part #	Description	Reference #	RRP
CLSKIT10TSS	S Clutch Kit 10T Short Shaft		395.00
CLSKIT9TSS	S Clutch Kit 9T Short Shaft		395.00
CLSBEAR10TSS	S Bearing 10T	7	22.90
CLSBEAR9TSS	S Bearing 9T	7	22.90
CLSSPANNERQ	S Q Spanner		18.00
CLSSLEEVESS	S Sleeve SS	4	11.50
CLSNUTA10TSS	S Nut Adjusting 10T SS	5	20.00
CLSNUTA9TSS	S Nut Adjusting 9T SS	5	20.00
CLSSCREWL	S Screw Locking	6	17.25
CLSPIN	S Pin	9	3.00
CLSDRUM	S Drum	2	54.35
CLSSPRNUT	S Sprocket Nut	8	7.90
CLSSHOEASSY	S Shoe Assembly	1	230.00
CLSSYRINGE	S Grease Filled Syringe		16.00
CLSRETAIN	S Retaining Plate Kit	10	16.00
CLSSPR10T	S Sprocket 10T	3	52.20
CLSSPR9T	S Sprocket 9T	3	52.20

Strike Products Retail Pricelist October 2009



**KT100S LONG SHAFT CLUTCH AND COMPONENTS**

Part #	Description	Reference #	RRP
CLSKIT10TLS	S Clutch Kit 10T Long Shaft		395.00
CLSBEARO10TLS	S Bearing Outer Long Shaft (Bronze)	11	14.50
CLSBEARI10TLS	S Bearing Inner Long Shaft (Plastic)	7	10.75
CLSSLEEVES	S Sleeve Long Shaft	4	9.50
CLSNUTILS	S Nut Inner Long Shaft	5	13.50
CLSNUTOLS	S Nut Outer Long Shaft	6	20.00
CLSPIN	S Pin	9	3.00
CLSDRUM	S Drum	2	54.35
CLSSPRNUT	S Sprocket Nut	8	7.90
CLSSHOEASSY	S Shoe Assembly	1	230.00
CLSSYRINGE	S Grease Filled Syringe		16.00
CLSRETAIN	S Retaining Plate Kit	10	16.00
CLSSPR10T	S Sprocket 10T	3	48.00

## Strike Products Retail Pricelist October 2009



<b>STRIKE STARTERS AND COMPONENTS</b>		
<b>Part #</b>	<b>Description</b>	<b>RRP</b>
SSTARTER17	Starter 17mm A/F (Blue)	355.00
SSTARTER19	Starter 19mm A/F (Silver)	355.00
SSTARTER17NOBAT	Starter 17mm A/F (Blue) No Battery	295.00
SSTARTER19NOBAT	Starter 19mm A/F (Silver) No Battery	295.00
SSHAFT17	Starter Shaft 17mm A/F (Blue)	35.75
SSHAFT19	Starter Shaft 19mm A/F (Silver)	35.75
SBATCB14L-A2	Starter Battery CB14L-A2	64.50
SAD19M17F	19 mm male to 17 mm socket (Blue)	31.00
SAD17M19F	17 mm male to 19 mm socket (Silver)	31.00

\*Starters with batteries are shipped without acid, which must be sourced by customer.

\*\* All Starters come with overflow tube and bottle as required for AKA.

<b>SSS CLUTCH AUXILIARIES</b>		
<b>Part #</b>	<b>Description</b>	<b>RRP</b>
CLRELINES	Shoe Assembly Relining Service SSS	50.00
CLRELINEC	Shoe Assembly Relining Service Comer, Leopard etc	69.00
ST001	SSS "S" and Rotax Sprocket Nut Tightening Tool	42.50
CLKSK	Ignition Kill Switch Kit	39.30